

| | | |
|---------|----------|-----|
| APP CRS | Rwy Idg | N/A |
| 328° | TDZE | N/A |
| | Apt Elev | 30 |

RNAV (GPS)-A

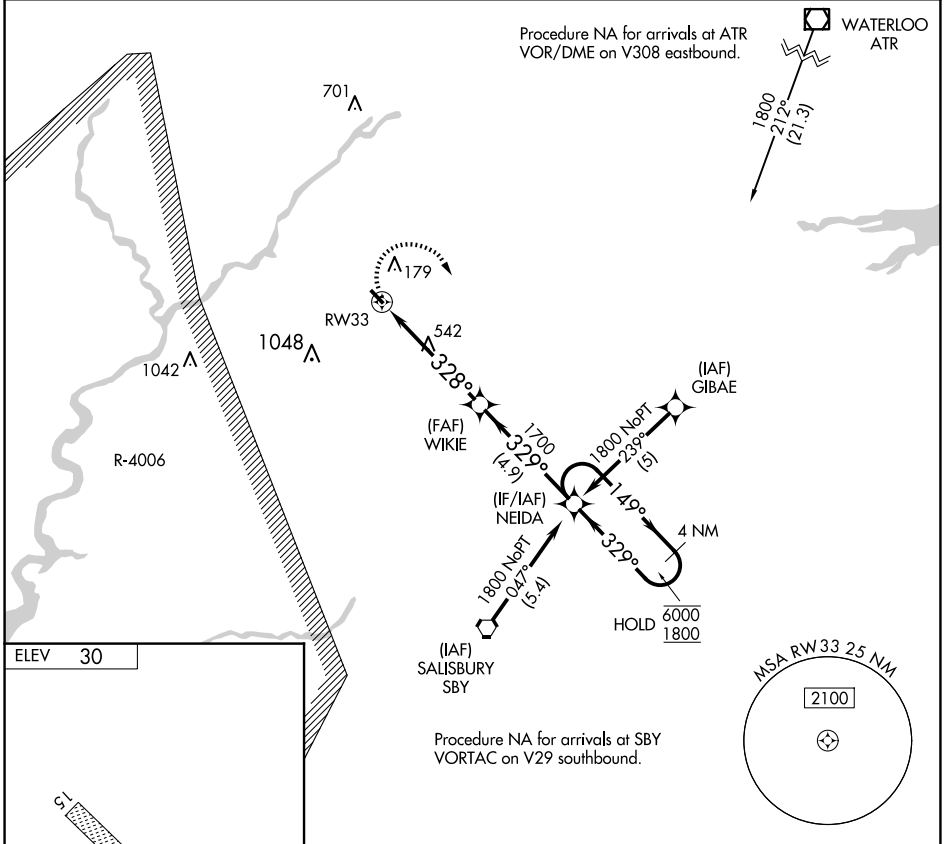
LAUREL (N06)

RNP APCH. Procedure NA at night. Use Salisbury altimeter setting; when not received, use Georgetown altimeter setting.

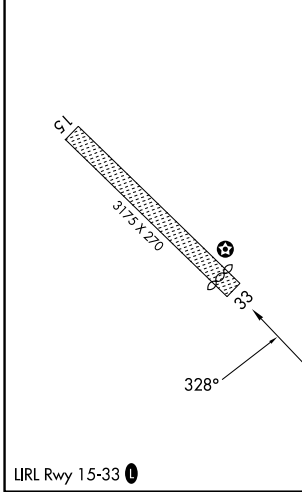
MISSED APPROACH: Climbing right turn to 1800 direct NEIDA and hold.

PATUXENT APP CON* **127.95 314.0**

UNICOM **122.8 (CTAF)**



ELEV 30



LIRL Rwy 15-33

| | | | | |
|----------|--------|-----------------------------|----|----------------------|
| 1800 | NEIDA | Visual Segment - Obstacles. | | 4 NM Holding Pattern |
| | | | | |
| CATEGORY | A | B | C | D |
| CIRCLING | 880-1¼ | 850 (900-1¼) | NA | |

NE-3, 15 MAY 2025 to 12 JUN 2025

NE-3, 15 MAY 2025 to 12 JUN 2025