

CARO, MICHIGAN

AL-6375 (FAA)

25107

VOR/DME MBS 114.35 Chan 90(Y)	APP CRS 102°	Rwy Idg TDZE Apt Elev 704	N/A N/A 704
---	------------------------	---	--

VOR-A

TUSCOLA AREA (CFS)

DME required.

▼ Circling NA to Rwy 13 and 31.
▲ Procedure NA at night.

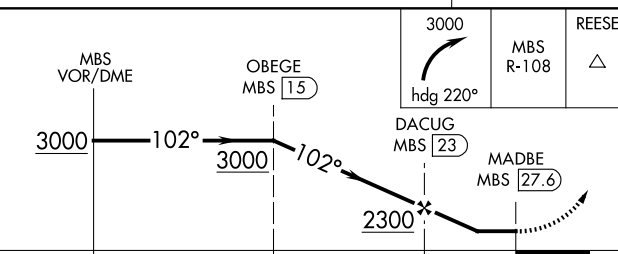
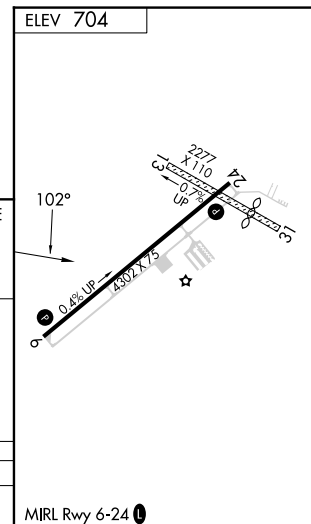
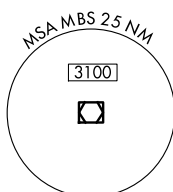
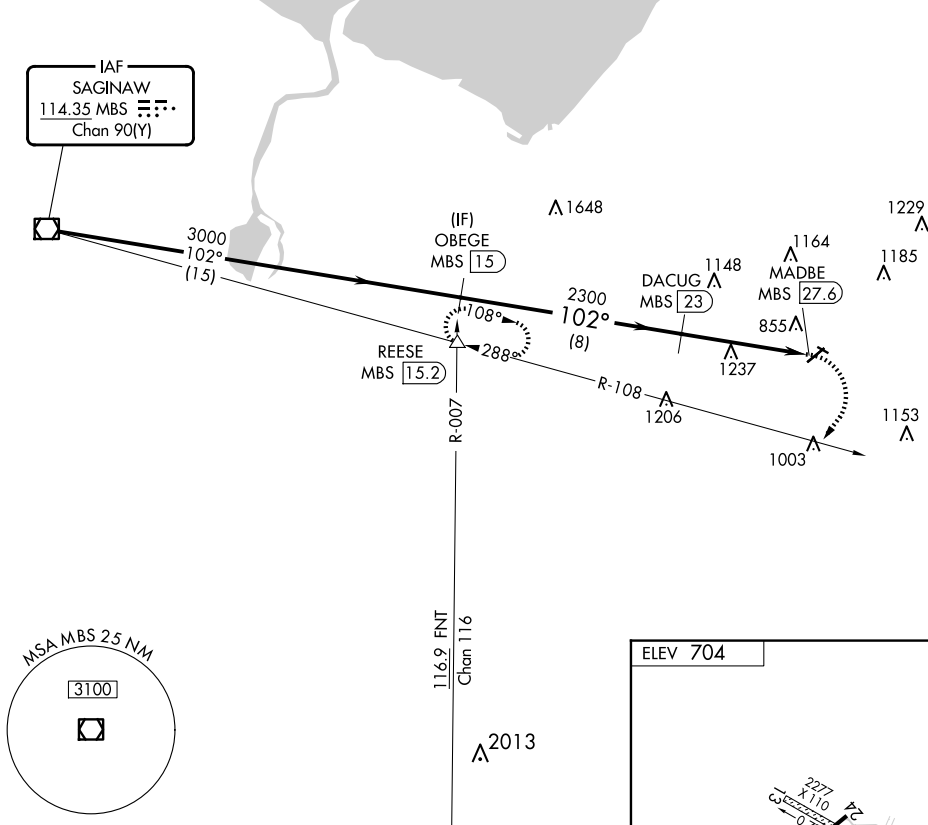
MISSED APPROACH: Climbing right turn to 3000 on heading 220° and on MBS VOR/DME R-108 to REESE INT/15.2 DME and hold.

AWOS-3
119.275

GREAT LAKES APP CON ★
120.95 235.625

UNICOM
123.0 (CTAF) 0

IAF
SAGINAW
114.35 MBS
Chan 90(Y)



CATEGORY	A	B	C	D
0 CIRCLING	1540-1¼	836 (900-1¼)	1600-2¾ 896 (900-2¾)	NA

CARO, MICHIGAN
Amdt 7A 17APR25

43°28'N-83°27'W

TUSCOLA AREA (CFS)

VOR-A

EC-1, 15 MAY 2025 to 12 JUN 2025

EC-1, 15 MAY 2025 to 12 JUN 2025