

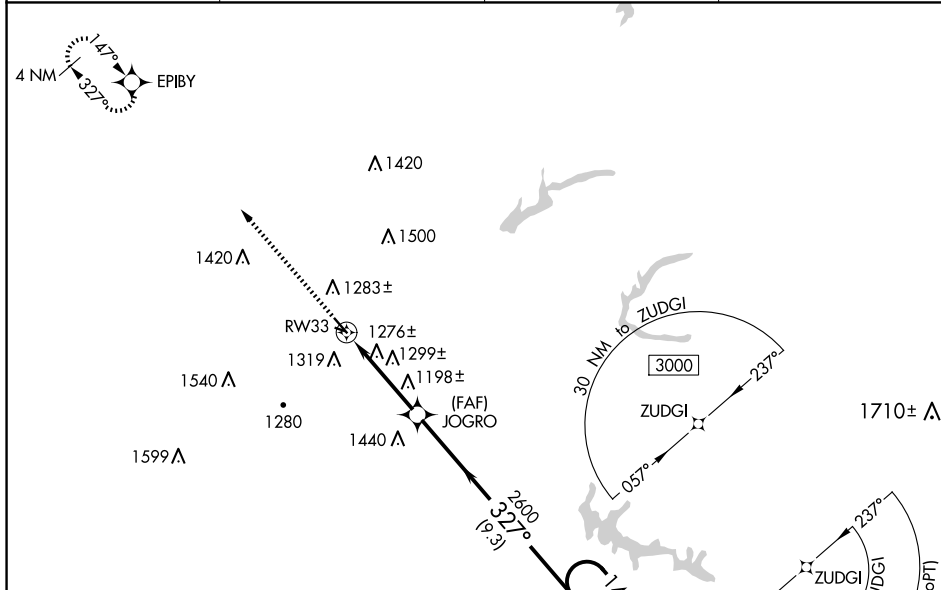
WAAS CH 70343 W33A	APP CRS 327°	Rwy Idg TDZE 893 Apt Elev 894	3634
--	------------------------	---	-------------

RNAV (GPS) RWY 33

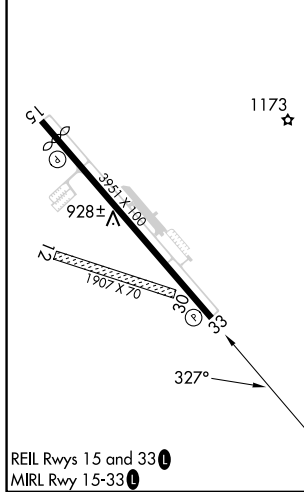
HARRY CLEVER FLD (PHD)

RNP APCH.	<p>▽ Circling NA to Rwy 12 and 30. Rwy 33 helicopter visibility reduction below 1 SM NA. Procedure NA at night.</p>	MISSED APPROACH: Climb to 3000 direct EPIBY and hold.
-----------	--	---

ASOS 121.425	CLEVELAND APP CON* 125.5 371.875	UNICOM 122.8 (CTAF)	123.3 ①
------------------------	--	-------------------------------	-----------------------



ELEV 894	D	TDZE 893
----------	----------	----------



REIL Rwy 15 and 33 **①**
MIRL Rwy 15-33 **①**

3000	EPIBY	4 NM Holding Pattern		
↑	✧			
<p>JOGRO</p> <p>RW33 $\leq 4.00^\circ$ TCH 54</p> <p>2600</p> <p>3.9 NM 9.3 NM</p>				
<p>ZUDGI</p> <p>147° → 6000</p> <p>← 327° 3000</p>				
CATEGORY	A	B	C	D
LP MDA	1540-1	647 (700-1)	NA	
LNAV MDA	1560-1	667 (700-1)	NA	
C CIRCLING	1620-1 726 (800-1)	1640-1 746 (800-1)	NA	

EC-2, 15 MAY 2025 to 12 JUN 2025

EC-2, 15 MAY 2025 to 12 JUN 2025