

ICONS FIVE DEPARTURE (RNAV)

MID-CAROLINA RGNL (RUQ)
SALISBURY, NORTH CAROLINA

CHARLOTTE DEP CON
128.325 307.8
AWOS-3
118.175
CLNC DEL
127.35
UNICOM
122.725

RNAV - 1 DME/DME/IRU or GPS.

RADAR required.

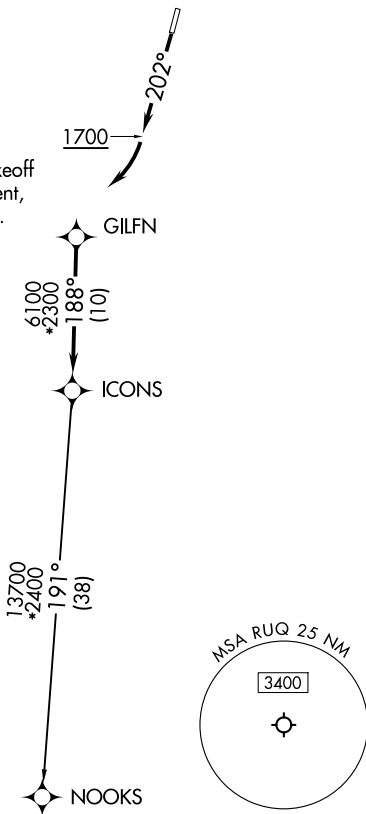
**TOP ALTITUDE:
3000**

TAKEOFF MINIMUMS

Rwy 2: Standard.

Rwy 20: 400-2³/₄ or standard with minimum climb of 205' per NM to 1300, or alternatively, with standard takeoff minimums and a normal 200' per NM climb gradient, takeoff must occur no later than 1200' prior to DER.

- NOTE: For turbo jets only.
- NOTE: If unable to accept climb rates, advise ATC on initial contact.
- NOTE: Transponder code will be issued via PDC or Charlotte CLNC DEL.
- NOTE: Upon reaching 10000 MSL, accelerate to and maintain 280K, if unable advise ATC.



NOTE: Chart not to scale.



DEPARTURE ROUTE DESCRIPTION

TAKEOFF RUNWAY 2: Climb on heading assigned by ATC, thence. . . .

TAKEOFF RUNWAY 20: Climb on heading 202° to 1700 before turning right, then on heading assigned by ATC, thence. . . .

. . . .on RADAR vectors to GILFN, then on track 188° to ICONS. Then on NOOKS Transition. Maintain 3000, expect filed altitude within 10 minutes after departure.

NOOKS TRANSITION (ICONS5.NOOKS)

ICONS FIVE DEPARTURE (RNAV)

(ICONS5.ICONS) 21MAR24

SALISBURY, NORTH CAROLINA
MID-CAROLINA RGNL (RUQ)

SE-2, 15 MAY 2025 to 12 JUN 2025

SE-2, 15 MAY 2025 to 12 JUN 2025