

WAAS CH 70534 W27A	APP CRS 274°	Rwy Idg TDZE 1146 Apt Elev 1150	4000 1146 1150
--	------------------------	---	---

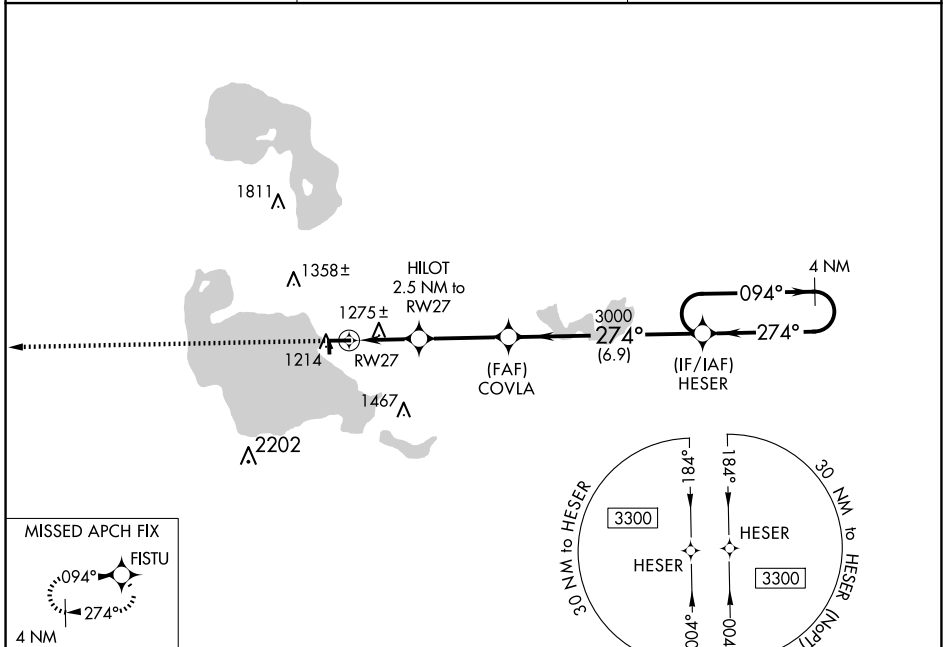
RNAV (GPS) RWY 27

ROSCOMMON COUNTY/BLODGETT MEML (HTL)

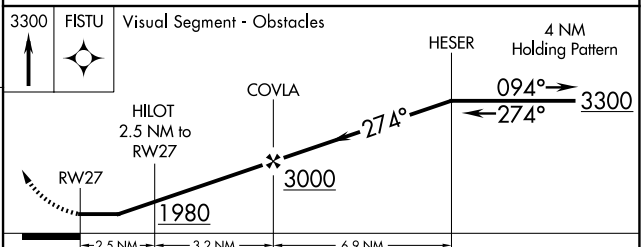
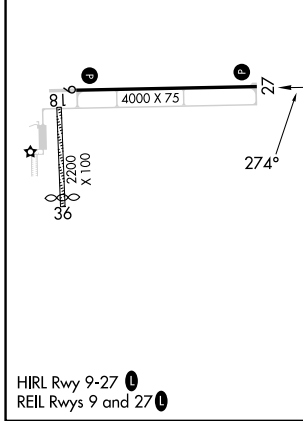
⚠ When local altimeter setting not received, use Gaylord altimeter setting and increase all MDAs 120 feet and visibility Cat C/D ½ SM. DME/DME RNP-0.3 NA. Procedure NA at night.
⚠ Helicopter visibility reduction below 1 SM NA. Circling NA to Rwy's 18, 36.

MISSED APPROACH: Climb to 3300 direct FISTU and hold.

ASOS 118.05	MINNEAPOLIS CENTER 125.475 269.45	UNICOM 122.8 (CTAF) 0
-----------------------	---	---------------------------------



ELEV 1150	TDZE 1146
------------------	------------------



CATEGORY	A	B	C	D
LP MDA	1540-1	394 (400-1)	1540-1¼	394 (400-1¼)
LNAV MDA	1560-1	414 (500-1)	1560-1¼	414 (500-1¼)
CIRCLING	1600-1	450 (500-1)	1700-1½ 550 (600-1½)	1820-2 670 (700-2)

EC-1, 15 MAY 2025 to 12 JUN 2025

EC-1, 15 MAY 2025 to 12 JUN 2025