

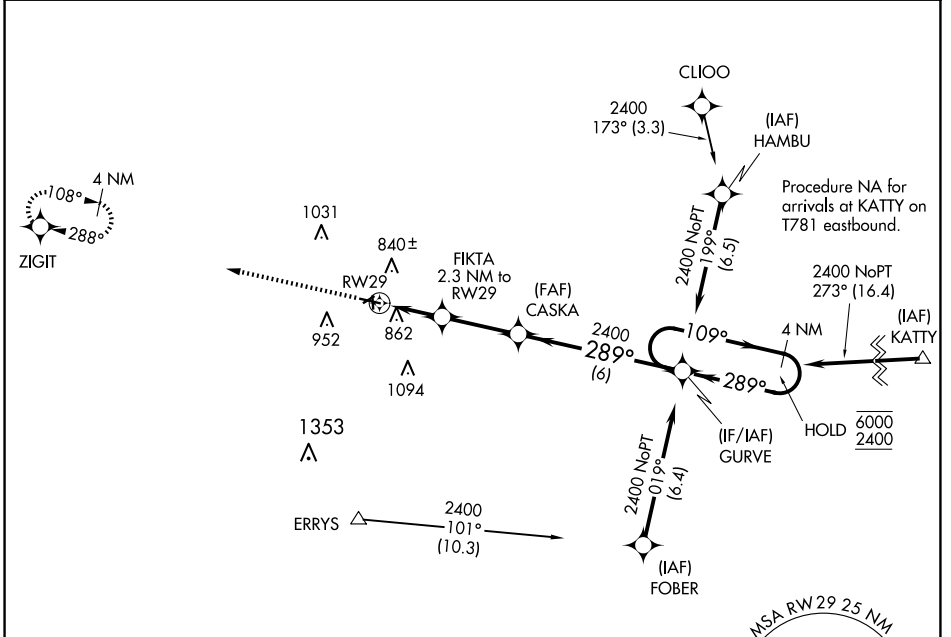
APP CRS	Rwy Idg	<b>4300</b>
<b>289°</b>	TDZE	<b>737</b>
	Apt Elev	<b>737</b>

# RNAV (GPS) RWY 29

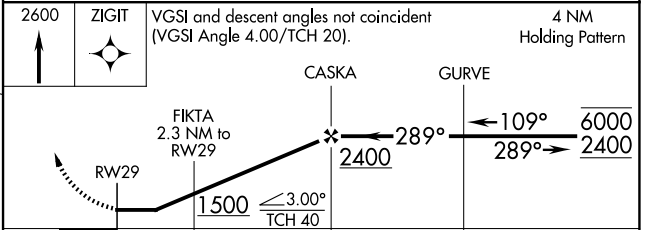
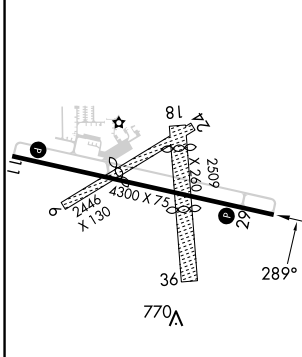
OWOSSO COMMUNITY (RNP)

RNP APCH:	<p>▼ Circling NA to Rwys 6, 18, 24 and 36. Procedure NA at night. Rwy 29 helicopter visibility reduction below 3/4 SM NA.</p> <p>▲ MISSED APPROACH: Climb to 2600 direct ZIGIT and hold.</p>
-----------	--

AWOS-3 <b>118.025</b>	GREAT LAKES APP CON * <b>128.55 257.9</b>	UNICOM <b>123.0 (CTAF) 0</b>
--------------------------	--	---------------------------------



ELEV 737	TDZE 737
----------	----------



CATEGORY	A	B	C	D
LNAV MDA	1120-1	383 (400-1)	1120-1 1/8 383 (400-1 1/8)	NA
<input checked="" type="checkbox"/> CIRCLING	1220-1 483 (500-1)	1260-1 523 (600-1)	1400-1 3/4 663 (700-1 3/4)	NA

REIL Rwys 11 and 29 0  
MIRL Rwy 11-29 0

EC-1, 15 MAY 2025 to 12 JUN 2025

EC-1, 15 MAY 2025 to 12 JUN 2025