

# PALACIOS THREE DEPARTURE

SC-5, 15 MAY 2025 to 12 JUN 2025

RADAR and DME required.

TOP ALTITUDE:  
ASSIGNED BY ATC

**TAKEOFF MINIMUMS**  
 Rwys 4, 17L/R, 35L/R: Standard.  
 Rwy 22: 200-1/4 or standard with minimum climb of 214' per NM to 300 or alternatively with standard takeoff minimums and a normal 200' per NM climb gradient, takeoff must occur no later than 1400' prior to DER.

ATIS 135.575 269.9  
 GND CON 121.6 275.8  
 ELLINGTON TOWER 126.05 253.5  
 HOUSTON DEP CON 134.45 284.0

FORT STOCKTON  
 116.9 FST  
 Chan 116

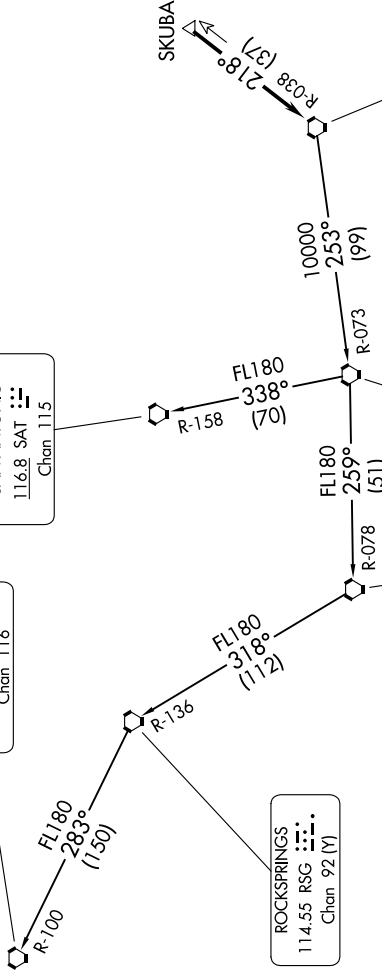
SAN ANTONIO  
 116.8 SAT  
 Chan 115

ROCKSPRINGS  
 114.55 RSG  
 Chan 92 (Y)

COTUILA  
 115.8 COT  
 Chan 105

THREE RIVERS  
 111.4 THX  
 Chan 51

PALACIOS  
 117.3 PSX  
 Chan 120



(CONTINUED ON FOLLOWING PAGE)

SC-5, 15 MAY 2025 to 12 JUN 2025

NOTE: Chart not to scale.

# PALACIOS THREE DEPARTURE