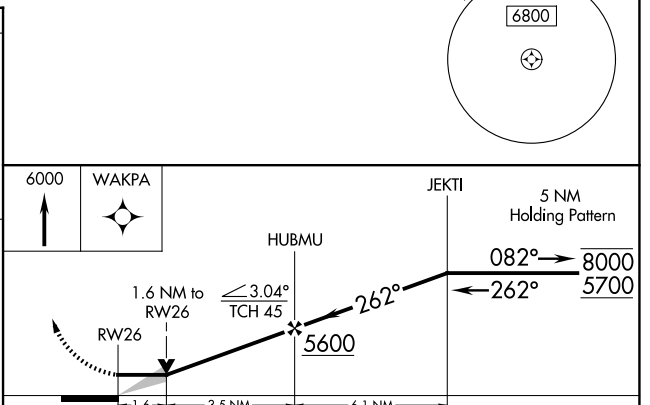
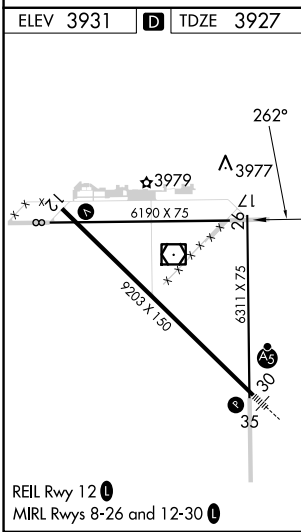
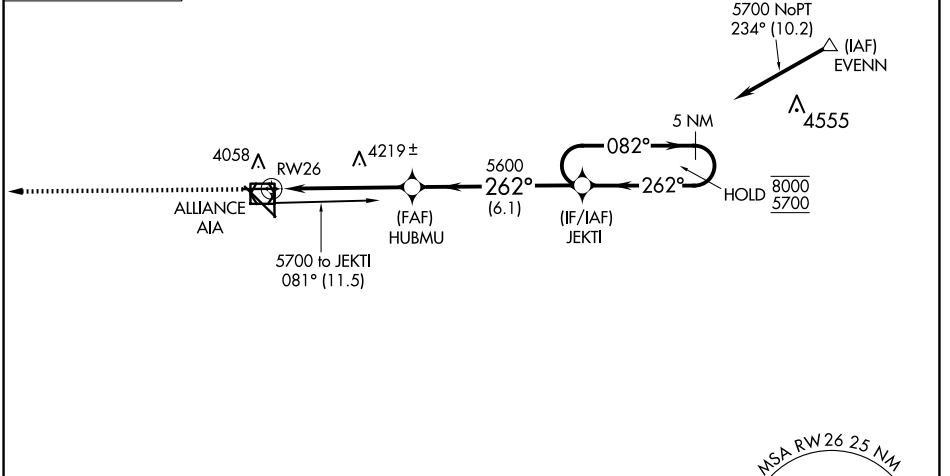
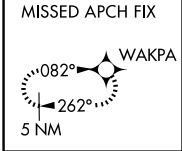


| | | |
|-------------|----------|-------------|
| APP CRS | Rwy Idg | 6190 |
| 262° | TDZE | 3927 |
| | Apt Elev | 3931 |

RNAV (GPS) RWY 26

ALLIANCE MUNI (AIA)

| | | |
|----------------|---------------------|---|
| RNP APCH. | | MISSED APPROACH: Climb to 6000 direct WAKPA and hold. |
| ASOS | DENVER CENTER | UNICOM |
| 135.075 | 127.95 338.2 | 123.0 (CTAF) 0 |



| CATEGORY | A | B | C | D |
|----------|-----------------------|-----------------------|--|--|
| LNAV MDA | 4480-1 | 553 (600-1) | 4480-1 ⁵ / ₈ 553 (600-1 ⁵ / ₈) | 4480-1 ³ / ₄ 553 (600-1 ³ / ₄) |
| CIRCLING | 4480-1 549 (600-1) | 4520-1 589 (600-1) | 4580-1 ³ / ₄ 649 (700-1 ³ / ₄) | 4640-2 ¹ / ₄ 709 (800-2 ¹ / ₄) |

NC-2, 15 MAY 2025 to 12 JUN 2025

NC-2, 15 MAY 2025 to 12 JUN 2025